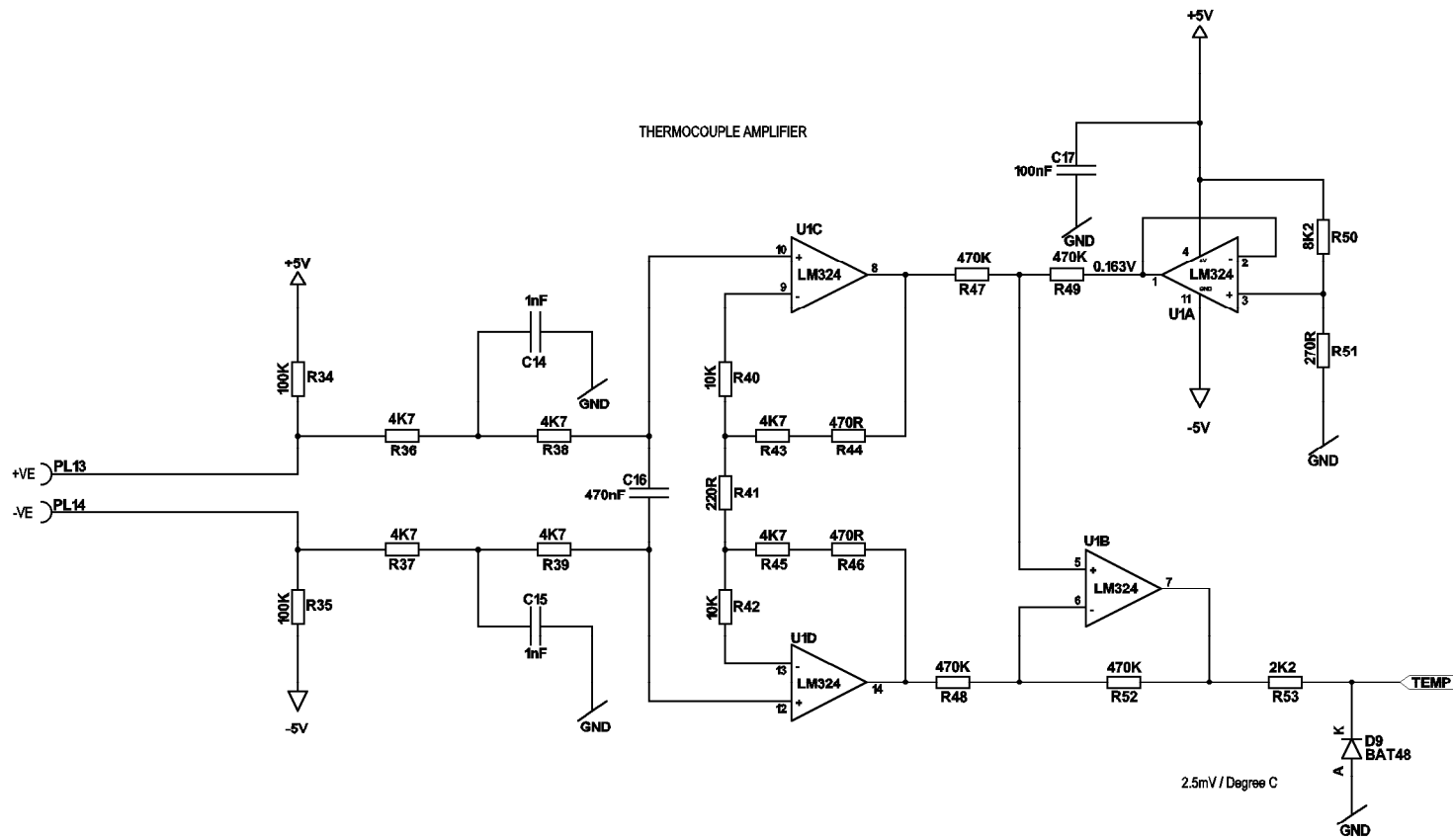


TITLE MAGNUM 2500HZ MAIN CONTROL PCB		
MARTIN MANUFACTURING (UK) PLC	REVISION -B	DRAWN BY JERILE RAMONES
DRAWING # 01204025	PAGE 1 OF 2	DATE 18/08/2011



TITLE		
MAGNUM 2500 Hz MAIN CONTROL PCB		
MARTIN MANUFACTURING (UK) PLC	REVISION -B	DRAWN BY JERILE RAMONES
DRAWING # 01204025	PAGE 2 OF 2	DATE 18/08/2011